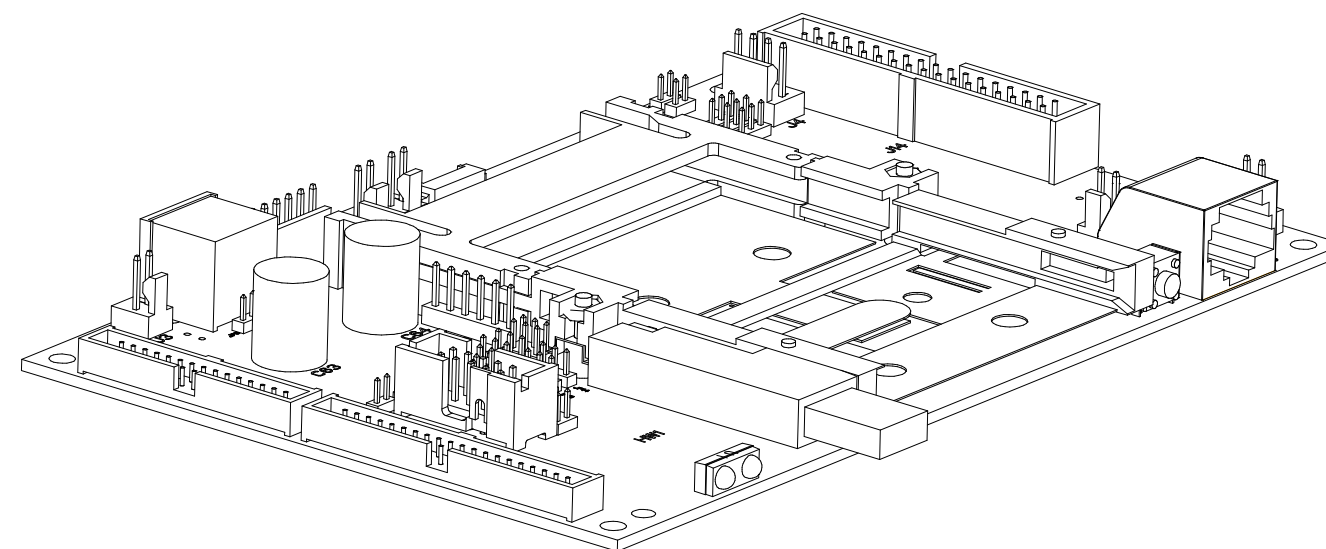


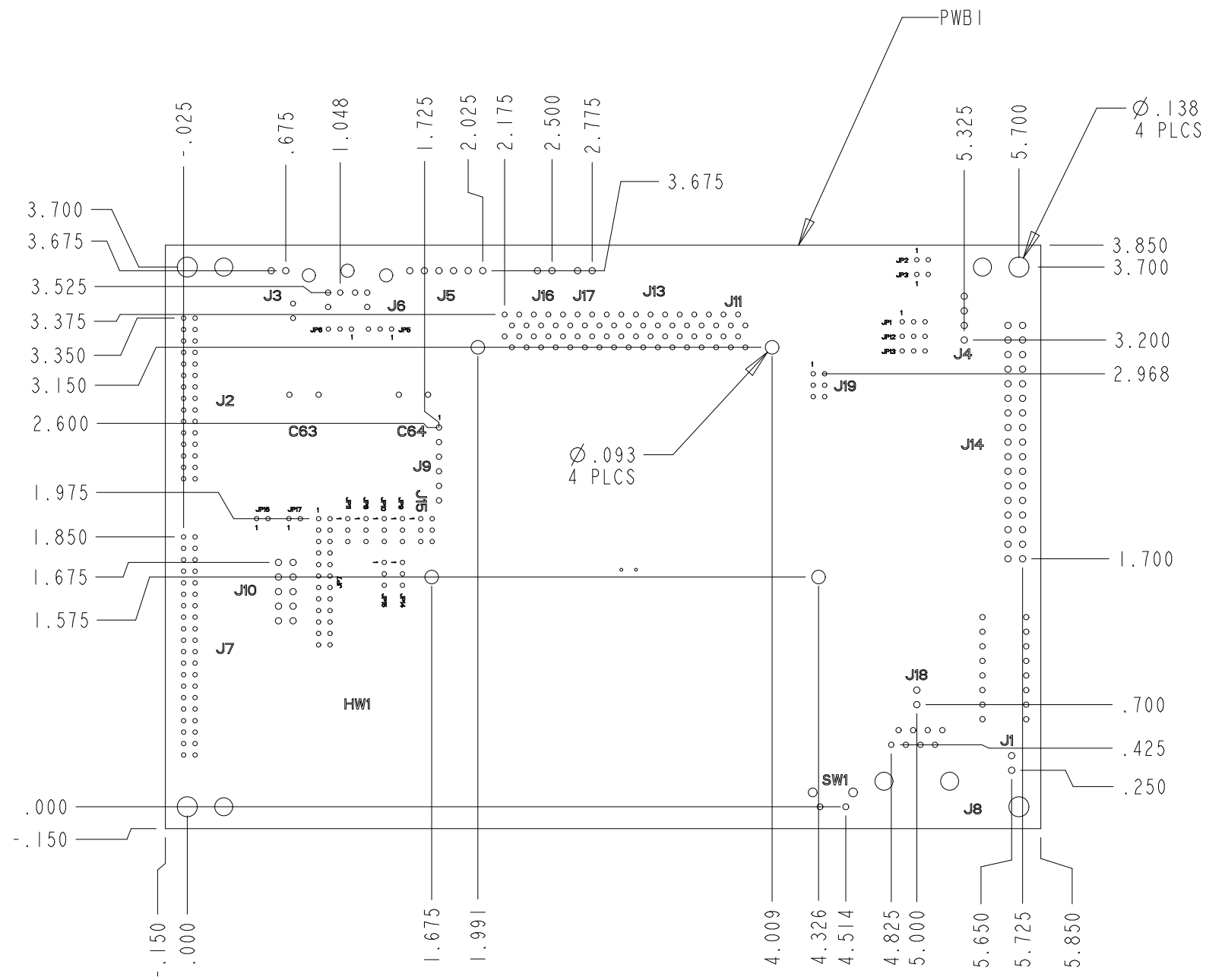
| REV | DESCRIPTION        | DATE    | INIT |
|-----|--------------------|---------|------|
| A   | PRODUCTION RELEASE |         |      |
| B   | ECN 110-B_B_000    | 5/01/01 |      |
|     |                    |         |      |



NOTES:

1. ALWAYS REFER TO MANUFACTURERS DATASHEET FOR COMPONENT DIMENSIONS
2. BOARD MATERIAL IS 0.062" THICK FR-4
3. DO NOT SCALE
4. DIMENSIONS ARE IN INCHES

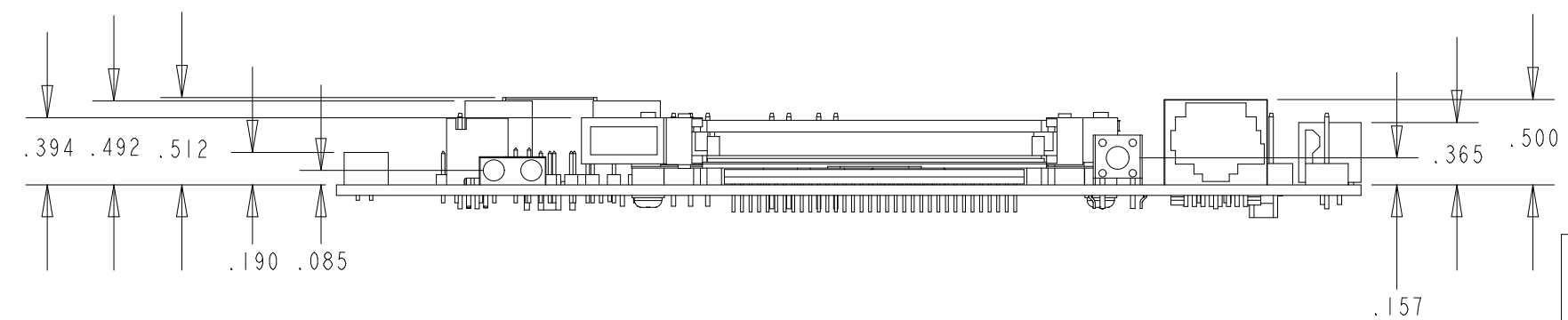
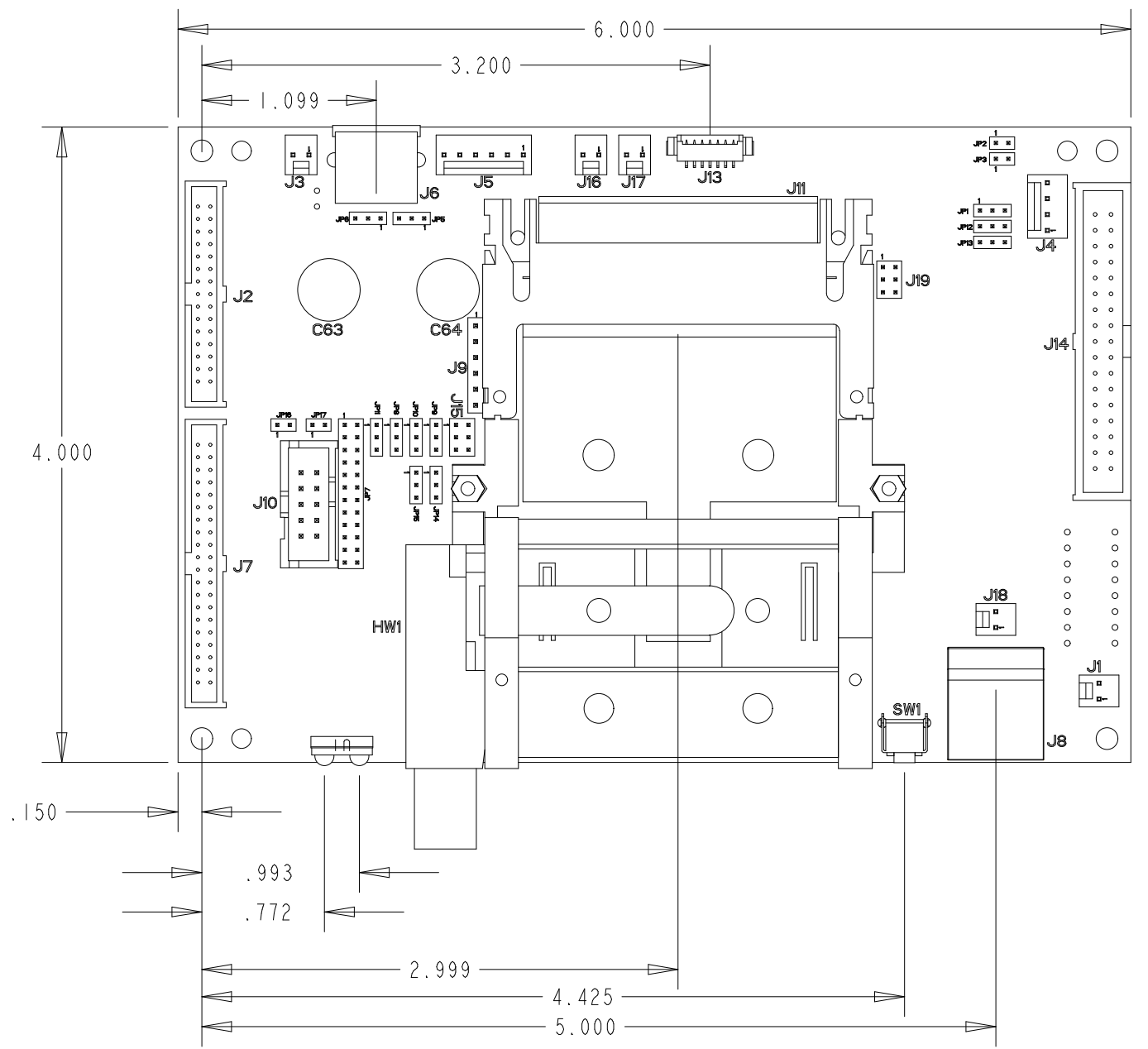
|                             |                  |  |         |   |              |
|-----------------------------|------------------|--|---------|---|--------------|
| APPROVALS                   |                  | APPLIED DATA SYSTEMS, Inc.<br>9140-A GUILFORD ROAD, COLUMBIA, MARYLAND 21061 |         |   |              |
| DRAWN BY:<br>M. Blattau     | DATE:<br>5/01/01 | TITLE MECHANICAL DIMENSIONS<br>ADS GRAPHICS CLIENT PLUS                      |         |   |              |
| CHECKED BY:<br>Mark Miles   |                  |  |         |   |              |
| APPROVED BY:<br>A. Philippe |                  | SIZE<br>B  | JOB NO. | DRAWING NO.<br>630110-8000  | REV<br>B     |
| APPROVED BY:<br>R. Davis    |                  | SCALE 1/1  |         | COPYRIGHT 2000, 2001<br>APPLIED DATA SYSTEMS, INC.<br>ALL RIGHTS RESERVED | SHEET 1 OF 3 |
| RELEASED BY:<br>H. Wilson   |                  |  |         |   |              |



| I/O PARTS LIST FOR GEOMETRIC REFERENCING |              |                  |                  |
|--|--------------|------------------|------------------|
| REF                                      | ADS P/N      | MANU.            | MANUF. P/N       |
| PWB1                                     | 170110-8000  | ADS              | N/A              |
| J1, J3, J16, J17, J18                    | 210060-01025 | MOLEX            | 22-23-2021       |
| J4                                       | 210060-01042 | MOLEX            | 22-23-2041       |
| J9                                       | 210060-01060 | SAMTEC           | MTSWI3607LS200LL |
| J5                                       | 210060-01062 | MOLEX            | 22-23-2061       |
| J15, J19                                 | 210060-02038 | SAMTEC           | TMM-103-03-T-D   |
| J10                                      | 210060-02054 | SAMTEC           | TST-105-01-L-D   |
| J2                                       | 210060-02158 | SAMTEC           | STMM-115-02-T-D  |
| J14                                      | 210060-02174 | SAMTEC           | TST-117-01-G-D   |
| J7                                       | 210060-02208 | SAMTEC           | STMM-120-02-T-D  |
| J13                                      | 210060-01071 | MOLEX            | 53261-0790       |
| J8                                       | 210070-00044 | AMP              | 555167-1         |
| J6                                       | 210070-00074 | SINGATRON ENTPRS | MDJ-004-6P       |
| J11                                      | 210070-00076 | AMP              | 535655-1         |
| J12                                      | 210071-00007 | HIROSE           | DF9B-31P-1V      |
| HW1                                      | 250080-00002 | AMP              | 146019-1         |
| SW1                                      | 510011-00001 | OMRON            | B3F-3120         |

APPLIED DATA SYSTEMS, Inc.  
 9140-A GUILFORD ROAD, COLUMBIA, MARYLAND 21061

|           |         |   |              |
|-----------|---------|---|--------------|
| SIZE<br>B | JOB NO. | DRAWING NO.<br>630110-8000  | REV<br>B     |
| SCALE 1/1 |         | COPYRIGHT 2000, 2001<br>APPLIED DATA SYSTEMS, INC.<br>ALL RIGHTS RESERVED | SHEET 2 OF 3 |



|  |  |             |              |
|--|--|-------------|--------------|
| APPLIED DATA SYSTEMS, Inc.<br>9140-A GUILFORD ROAD, COLUMBIA, MARYLAND 21061 |  |             |              |
| SIZE   | JOB NO.  | DRAWING NO. | REV          |
| B  |  | 630110-8000 | B            |
| SCALE 1/1  | <small>COPYRIGHT 2000, 2001<br/>         APPLIED DATA SYSTEMS, INC.<br/>         ALL RIGHTS RESERVED</small> |             | SHEET 3 OF 3 |