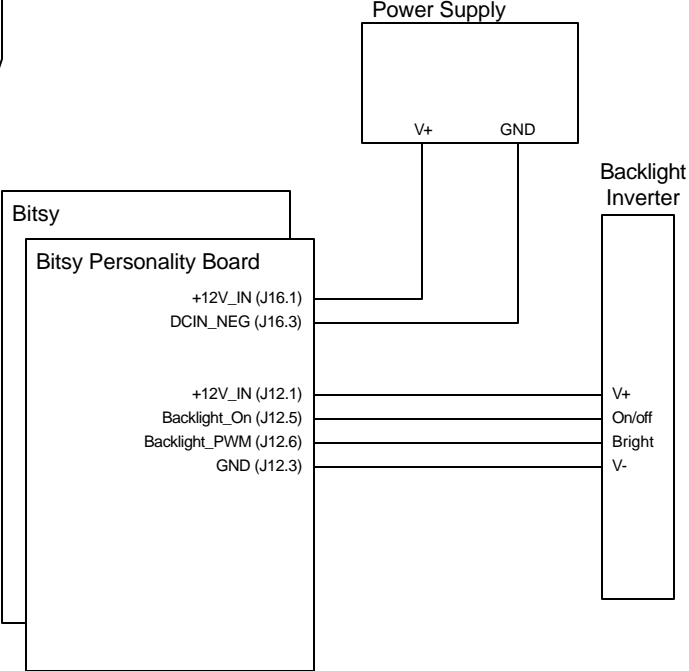
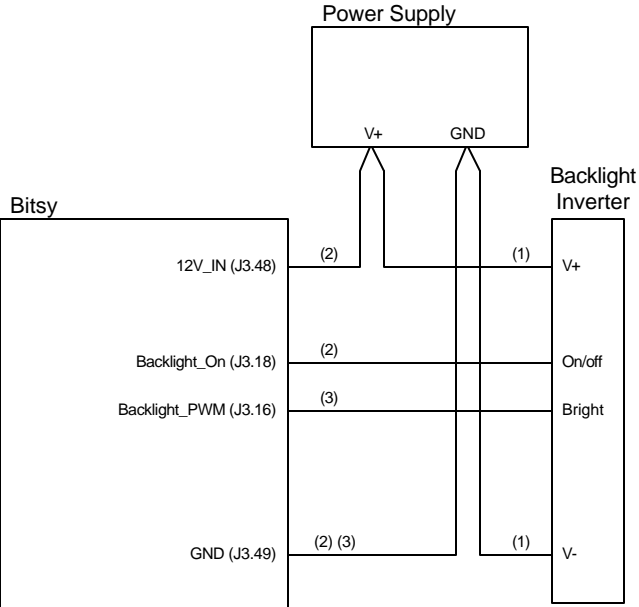


Connecting a Backlight  
to a  
Bitsy with Personality Board



Connecting a Backlight  
Directly to a Bitsy



Connect line if...  
 ... (1) using backlight  
 ... (2) controlling on/off  
 ... (3) controlling brightness